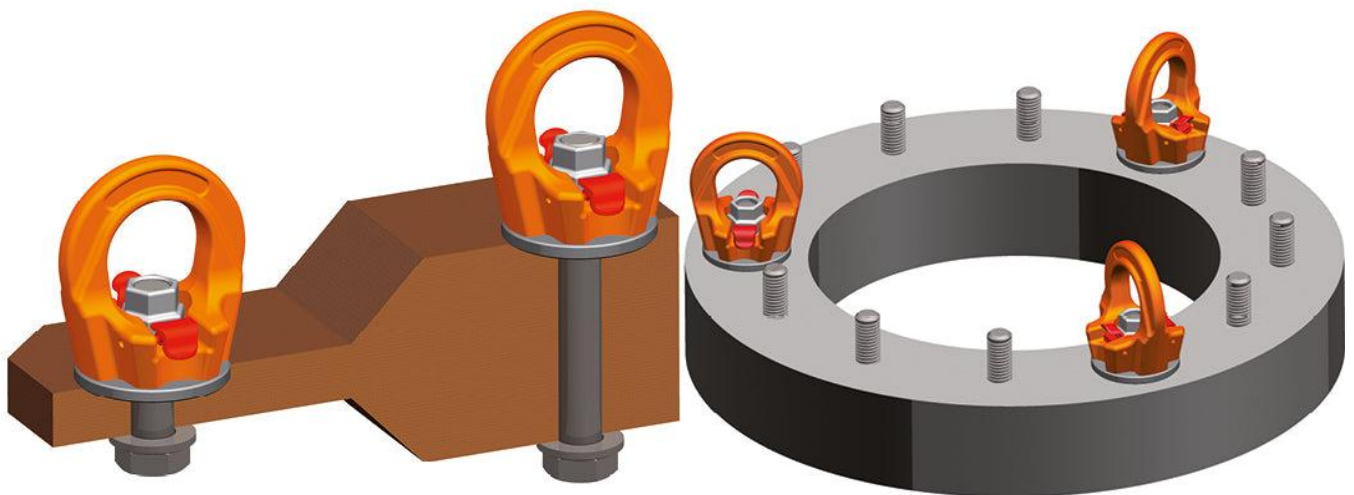




The Pewag PLGW-SN screw nut works on the principle of tool-free assembly, which makes it unique worldwide. It takes the successful Pewag PLGW supreme eyebolt one step further and is used on loads that come with a threaded bolt instead of a thread.



Different material thicknesses

Existing threaded bolts

Alternatively, the PLGW-SN supreme lifting point may be attached in a through hole using a standard screw, which has the additional advantage of being able to use the same lifting point with different material thicknesses. This method requires just crack-tested screws (strength category 10.9) of different lengths.

The load ring must be placed in the direction of pull before loading – **do not turn under load!**

For additional details and information, please refer to the full operating manual.

Further benefits of the PLGW-SN Pewag Winner Profilift Gamma Supreme:

- No tools are required for assembly or disassembly
- Saves time, especially if frequent assembly/disassembly takes place
- The lifting point is rotatable (may be set in the load direction) and loadable in all directions

The innovative tool free design of the PLGW-SN lifting eye nut is a patented concept in tool free anchorage by Pewag. This new design allows the lifting eye nut to be tightened and aligned manually in the direction of the load by engaging the special locking clips on to the integral nut which are retained in position via the patented spring. If desired, the eye nut can be tightened using a commercially available ring spanner.

The PLGW-SN is 360° rotatable and has a safety factor of 4:1 against breakage in all directions and can be loaded to full capacity throughout the 180° load range.

Each lifting eye nut is marked with an individual serial number giving full traceability. When used in a vertical lift the capacity can be increased according to the load tables provided.

Each PLGW-SN lifting eye nut is supplied packed with a User Manual which includes load tables for the various applications of use.

Also available with peTAG upon request.

Metric thread sizes available: M8, M10, M12, M16, M20, M24, M30.

Tool-free assembly and disassembly

The clips in position 1 do not have contact with the nut (fig 1)

- The clips are kept in position by the patented spring
- The eye nut is free to rotate

The clips in position 2 are in contact with the nut (fig 2)

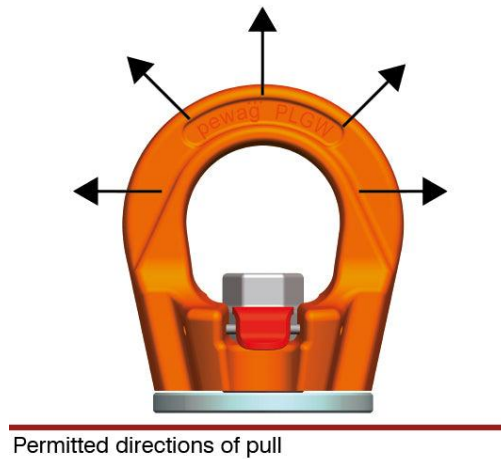
- The clips are kept in position by the patented spring
- The eye nut can not rotate i.e. the fastening torque is transmitted to the nut which can now be tightened or unscrewed by hand.



fig 1



fig 2

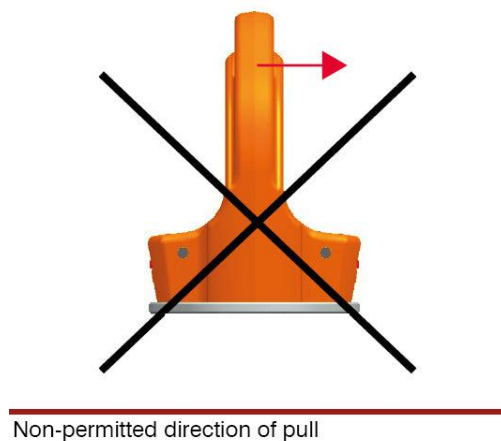


Permitted usage

Ensure that the PLGW-SN load capacity is in accordance with the inspection certificate, the loads are within the permissible direction of pull and also within the WLL stated in the tables supplied. The locking clips must be disengaged to allow free rotation of the eye to the line of pull of the load.

Adjust the lifting point in the permitted load direction before loading.

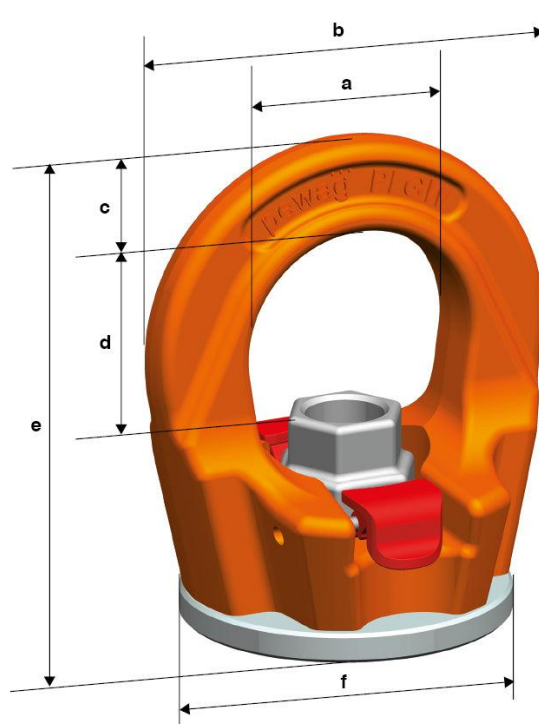
- Loadable with a 4-fold safety factor under break in all directions



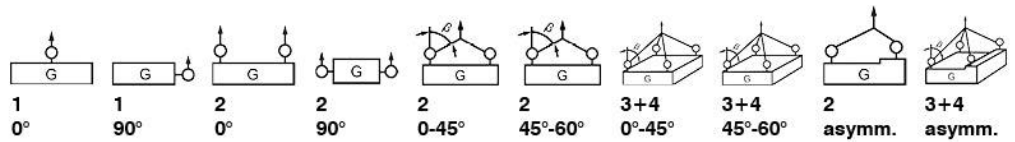
Non-permitted usage

During assembly, ensure that improper loading cannot arise due to any of the following factors:

- Direction of pull is obstructed
- Direction of pull is not within the indicated area
- Loading ring rests against edges or loads



Method of lifting
Number of legs
Angle of inclination



Code	Thread [mm]	Load capacity [kg]									
PLGW-SN 0,3 t	M8	1,000	300	2,000	600	400	300	600	400	300	300
PLGW-SN 0,5 t	M10	1,500	500	3,000	1,000	700	500	1,000	700	500	500
PLGW-SN 0,7 t	M12	2,000	700	4,000	1,400	1,000	700	1,400	1,000	700	700
PLGW-SN 1,5 t	M16	4,000	1,500	8,000	3,000	2,100	1,500	3,000	2,200	1,500	1,500
PLGW-SN 2,3 t	M20	5,000	2,300	10,000	4,600	3,200	2,300	4,800	3,400	2,300	2,300
PLGW-SN 3,5 t	M24	6,500	3,500	13,000	7,000	4,900	3,500	7,400	5,200	3,500	3,500
PLGW-SN 4,9 t	M30	12,000	4,900	24,000	9,000	6,900	4,900	10,300	7,300	4,900	4,900

Code	Thread [mm]	Load capacity [kg]	a [mm]	b [mm]	c [mm]	d [mm]	e [mm]	f [mm]	⊘ [mm]	Weight [kg/pc.]
PLGW-SN 0,3 t	M8	300	25	45	10	21	55	35	12	0.17
PLGW-SN 0,5 t	M10	500	25	45	10	21	55	35	12	0.17
PLGW-SN 0,7 t	M12	700	30	55	12	25	65	43	14	0.28
PLGW-SN 1,5 t	M16	1,500	35	64	14	29	72	50	19	0.42
PLGW-SN 2,3 t	M20	2,300	40	73	16	34	82	54	22	0.50
PLGW-SN 3,5 t	M24	3,500	50	86	18	40	95	69	27	1.00
PLGW-SN 4,9 t	M30	4,900	60	110	25	47	115	90	36	1.90